

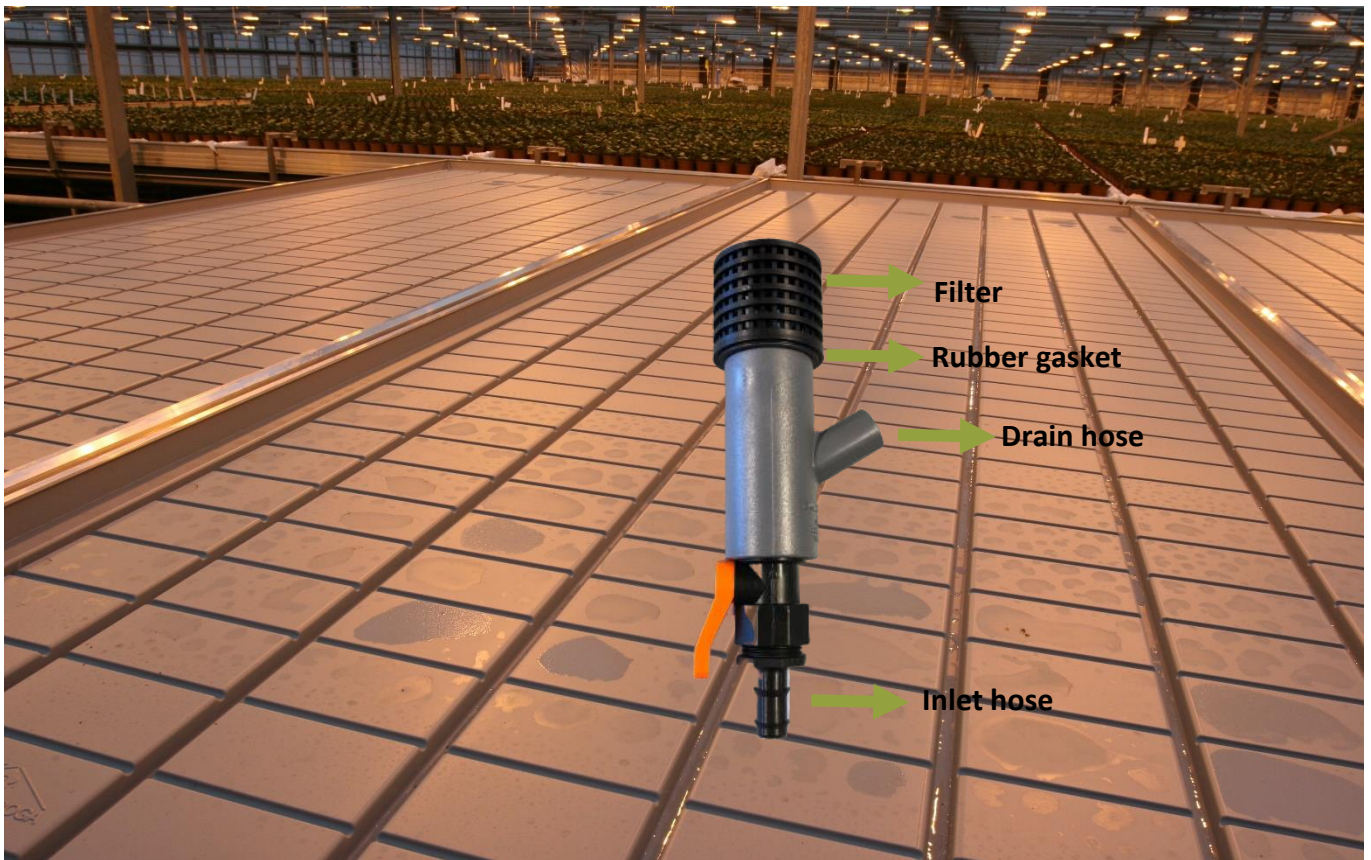
2021

Staal & Plast – Quick Valve

**staal
plast**



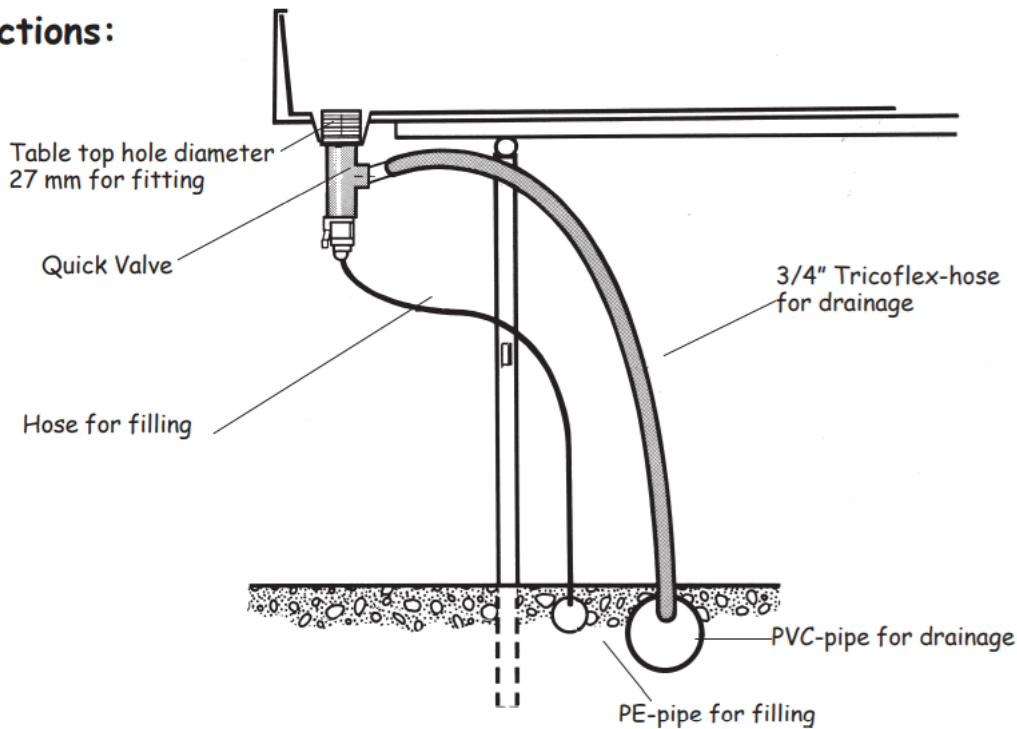
Quick Valve:



The Quick Valve is the fastest and most commonly chosen tray valve in our valve product portfolio.

The Quick Valve is a two-string valve. One string is used to fill the tray and the other string is used to drain the table.

Functions:



Depending on the inside hole diameter and the filling water pressure, the filling capacity is varying from approx. 9 liters/min up to 40 liters/min. The Quick Valve is normally delivered with an inside hole diameter of 4 mm. Other inside hole diameters can be drilled on request.

Filling capacity is seen in the table below.

Pressure in bar

4,0	16,6	19,1	23,0	27,5	32,5	36,4	39,1						
3,5	16,4	18,4	21,7	26,1	31,2	33,8	38,0	40,0					
3,0	15,1	17,6	20,6	24,7	29,5	32,4	35,4	36,3	38,8				
2,5	14,2	15,7	19,4	23,5	27,4	30,1	32,5	33,7	35,3	36,0			
2,0	12,6	14,2	16,7	21,6	24,7	26,7	28,7	29,5	31,5	32,6	33,3		
1,5	11,4	12,8	16,2	19,1	21,6	23,2	24,9	26,6	26,8	27,5	29,4	32,2	
1,0	9,2	10,5	12,8	15,2	16,7	18,5	19,7	21,2	21,4	22,1	22,4	23,5	26,2
	4,0	4,5	5,0	5,5	6,0	6,5	7,0	7,5	8,0	8,5	9,0	9,5	10,0
	Inside hole diameter in valve (mm)												

The drain string is also used to oxygenate the irrigation water during the filling for improved root formation.

When the water supply is turned off the valve is automatically draining the table with 28 liters/min.

The Quick Valve is equipped with a manual bottom valve allowing you to avoid filling of a specific table.

The Quick Valve can be delivered with 4 different hose connections.

$\frac{3}{4}$ " hose

$\frac{1}{2}$ " hose

PE hose (8x10,5 & 10x12,5 mm)

PE hose (6x8 mm)



The Quick Valve can be installed below the Staal and Plast valve sump plastic filters, preventing the valve from being blocked by leaves, soil and other impurities.

The Quick Valve is very durable and is designed to sustain its functionality for many years within the rough growing environment.